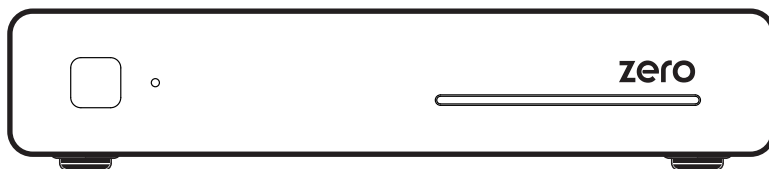
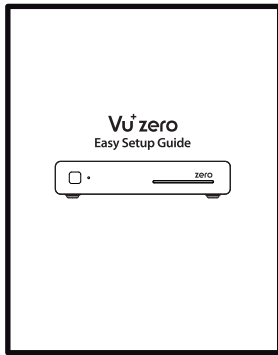
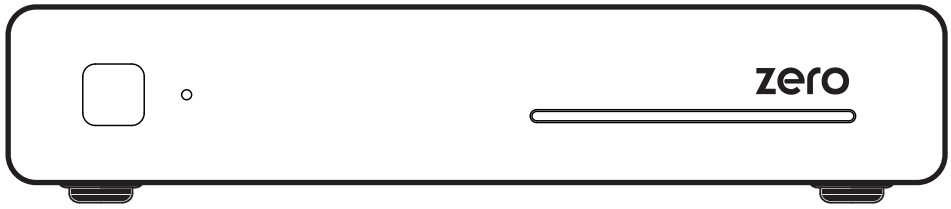


# Vu<sup>+</sup> zero

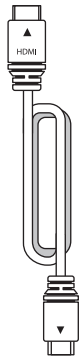
## Easy Setup Guide



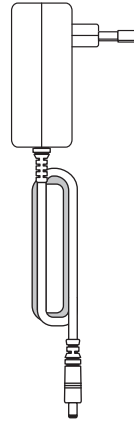
# What's included?



Easy Setup Guide



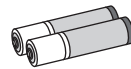
HDMI Cable



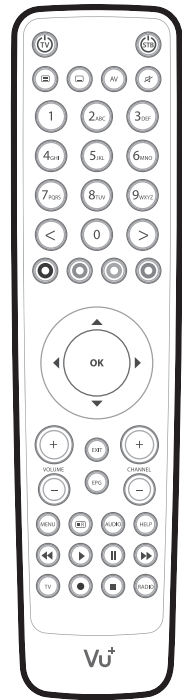
Power Adapter



External IR Cable



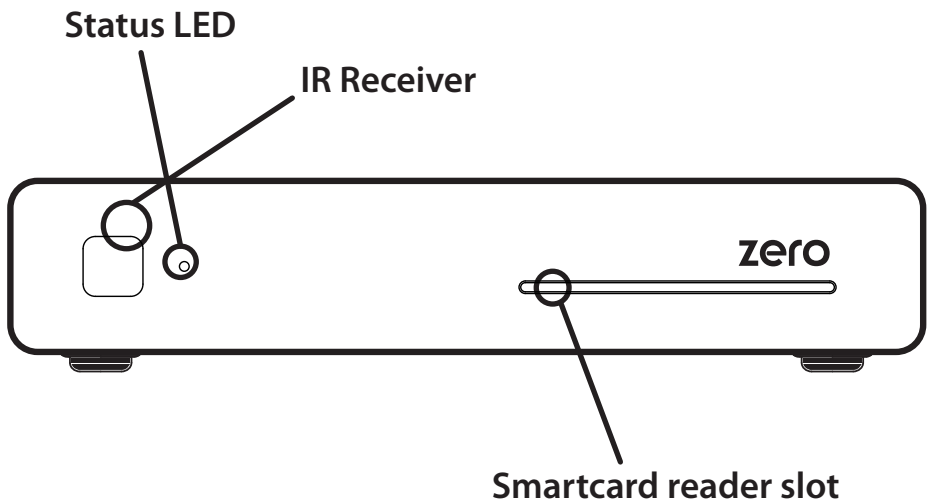
RCU Batteries



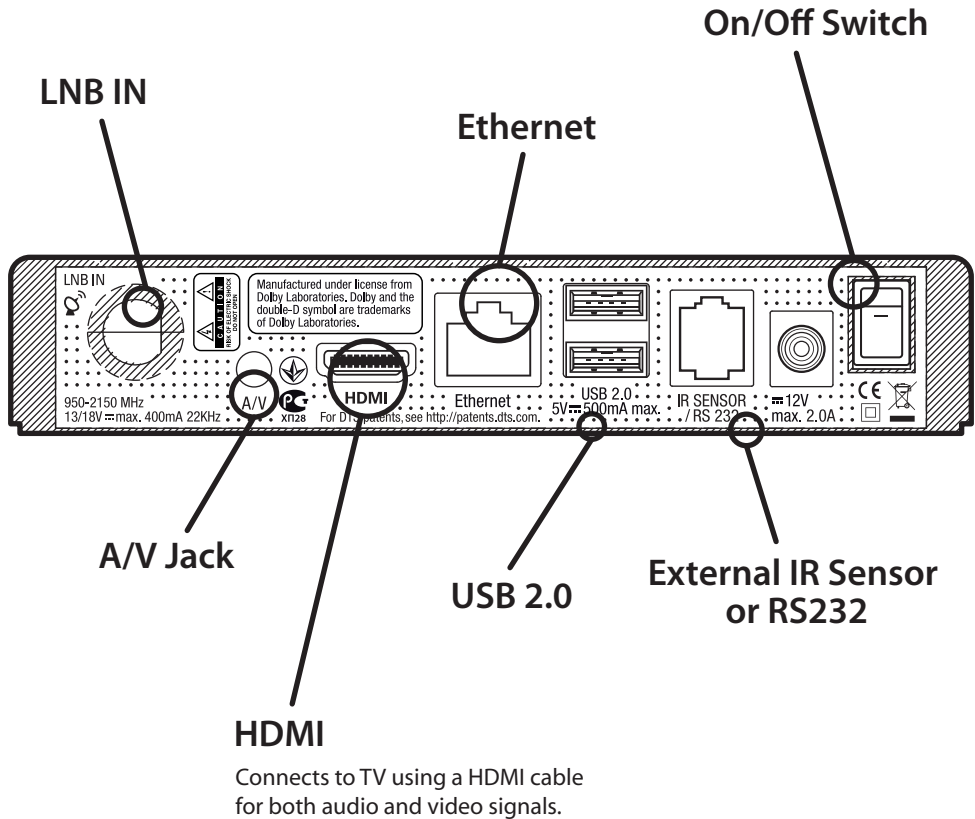
RCU

\* The contents in this guide are subject to change without prior notice.

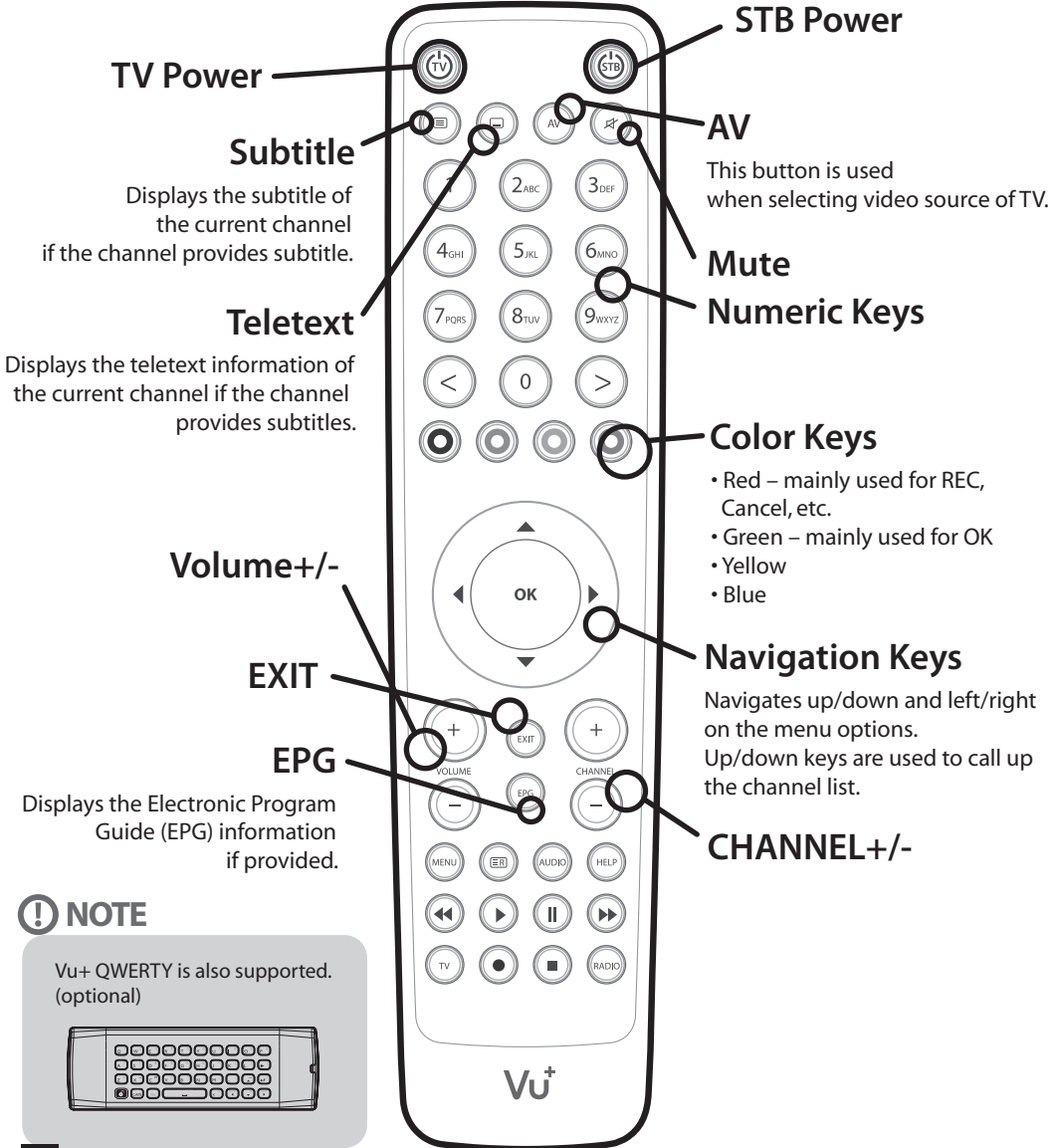
# Front Panel



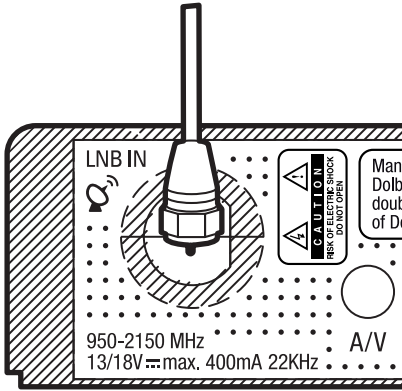
# Rear Panel



# Remote Control



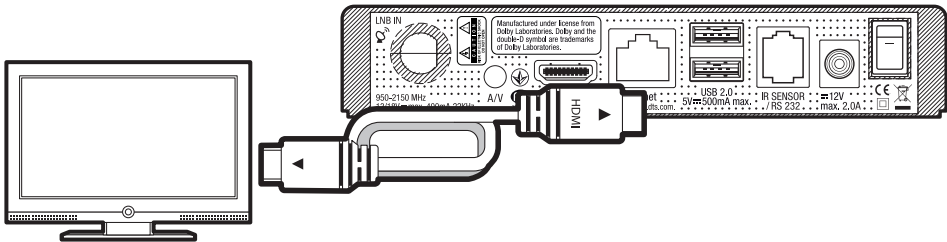
# Connecting Cable



1. Connect a Satellite signal cable to the tuner input.

## 2. Connect ZERO to the TV

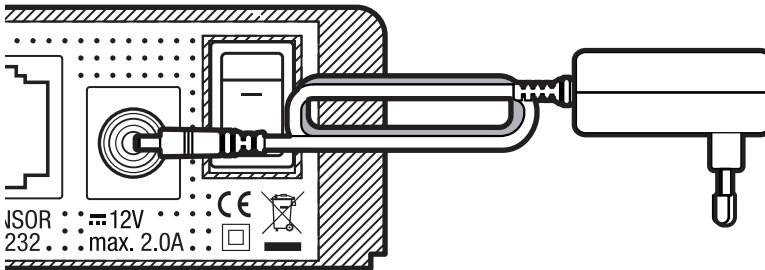
One HDMI cable is included in the accessory box. Connect one end of the cable to the HDMI input of TV. Connect the other end to the HDMI output of ZERO.



# Connecting Cable

## 3. Power Up

A power cord and an adapter are provided in the accessory box.  
Plug the round end of the adapter power cord into the power input of ZERO



### ⚠ NOTE

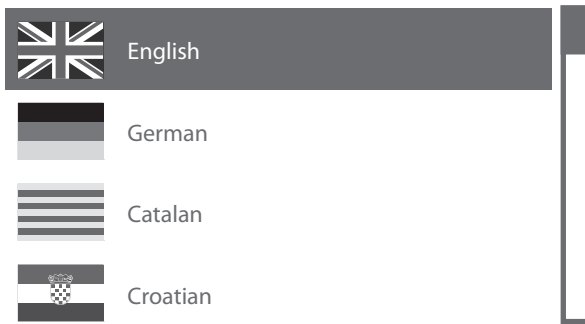
#### AC input condition

- Nominal Voltage Range: 100 – 240 VAC
- Maximum Voltage Range: 90 – 264 VAC
- Nominal Frequency: 50 / 60 Hz
- Maximum Frequency Range: 47 – 63 Hz

# Run First Time Installation

## Step 1. Language Selection

Please use the UP and DOWN keys to select your language.  
Afterwards press the OK button.



## Step 2. Configuring Satellite Connection

Welcome.

This start wizard will guide you through the basic setup of your STB.  
Press the OK button on your remote control to move to the next step.

English



# Run First Time Installation

Use the up/down keys on your remote control to select an option. After that, press OK.

English

Use wizard to set up basic features

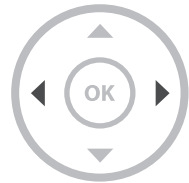
Exit wizard



Use the left and right buttons to change an option.

English

Configuration Mode not configured

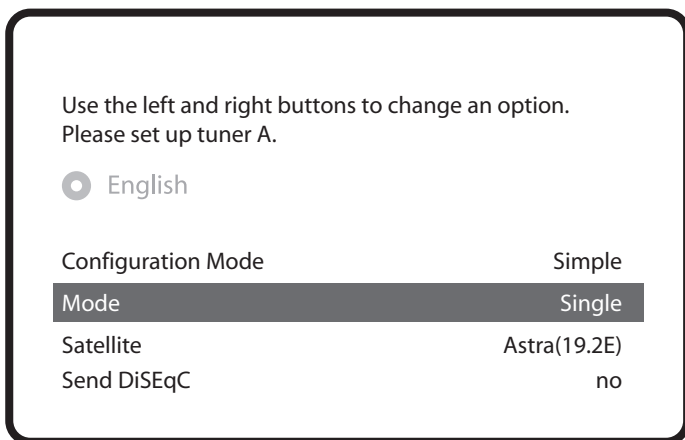


Using LEFT/RIGHT key, you can choose one of the following Configuration Modes:

- Nothing connected
- Simple
- Advanced: for an advanced user configuration.

# Run First Time Installation

If you choose Simple configuration mode, the following picture will appear.



The five modes are available for the satellite cable connection between LNB and your Vu+ as below :

- Single

This option is used to receive a single satellite with a single LNB. The cable from LNB is directly connected to Vu+.

For the other modes, please refer to the user manual of ZERO.

# Run First Time Installation

## Step 3. Install Default Service List

Here you will be asked whether you want to install the default satellite lists. Press OK and the following image appears:

Do you want to install default sat lists ?

English

Yes	
No	

Please choose the default services lists you want to install.

English

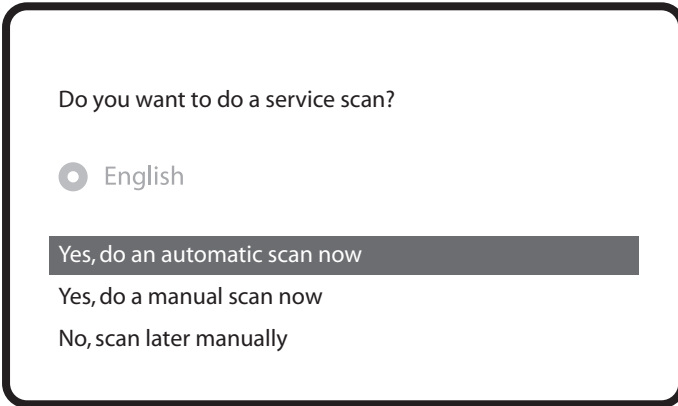
Astra(19.2E)	no
Hotbird(13.0E)	no

# Run First Time Installation

## Step 4. Channel Scan

- Selecting Scan Mode - Automatic Scan / Manual Scan

Channel scanning is possible either in Automatic Scan mode or Manual Scan mode.



Do you want to do a service scan?

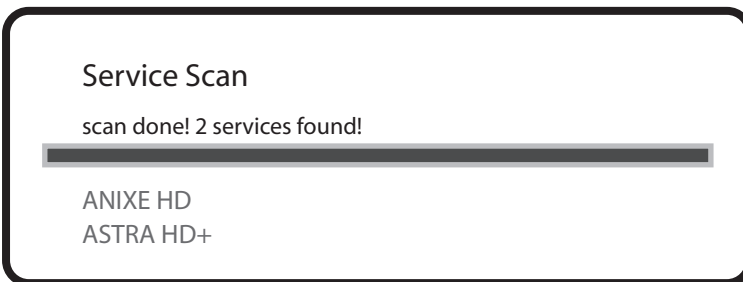
English

Yes, do an automatic scan now

Yes, do a manual scan now

No, scan later manually

Press OK to initiate the channel scan.



Service Scan

scan done! 2 services found!

---

ANIXE HD

ASTRA HD+

- Channel Scanning

The scanned channels will be displayed if the previous configurations have been done correctly.

# Run First Time Installation

## Step 5. Parental Control Option

Here you can choose whether to enable the parental control option. If you press OK, you will be asked to enter PIN number

*Parental control setup*

Enable parental control	yes
Protect setup	no
Protect services	no



Change pin code

New PIN	****
Reenter new PIN	****

## For more information about ZERO

1. Go to "Plugins" from Main Menu
2. Click "Opera Web Browser"
3. Go to "Tools" - "Bookmark"
4. Click "User Manual"

### **TIP**

Easy way to consult the manual: By long pressing 'Help' button, you can also access to On-Screen Manual page.

# A Guide to Request of GPLv2 based Software

This product contains software whose rights holders license it on the terms of the GNU General Public License, version 2 (GPLv2). You can find the text of this license in its English original version in the manual for this product. We will provide you with the complete corresponding source code of the software licensed under the GPLv2.

if you send us a written request by email to the following addresses:

Vu+ Support Team, [support@vuplus.com](mailto:support@vuplus.com)

detailing the name of the product and indicating how we can contact you.

Please note that we will ask you to pay us a certain amount of money for the costs incurred. The amount can be varied according to your location and Vu+ Support Team will notify the exact cost when receiving the request.

This offer is valid for three years from the moment we distributed the product.

In addition, you can access the source code for our devices using the command below.

git clone <http://archive.vuplus.com/git/dvbapp.git>

[www.vuplus.com](http://www.vuplus.com)

Vu+® is a registered trademark of Ceru Co., Ltd.  
Copyright© 2014 All Rights Reserved by Ceru., Ltd.